

# 4MP HD Intelligent LightHunter Cable-free IR VF Dome Network Camera

IPC3534SB-ADNZK-IO



## Key Features



- High quality image with 4MP, 1/2.7" CMOS sensor
- 4MP (2688\*1520)@ 30/25fps; 4MP (2560\*1440)@ 30/25fps; 3MP (2304\*1296) @30/25fps; 2MP (1920\*1080) @30/25fps;
- Ultra 265, H.265, H.264, MJPEG
- Smart intrusion prevention, include cross line, intrusion, enter area, leave area detection
- Based on target classification, smart intrusion prevention significantly reduce false alarm caused by leaves, birds and lights etc., accurately focus on human and, motor vehicle and non-motor vehicle
- Intelligent People Flow Counting and Crowd Density Monitoring
- 120dB true WDR technology enables clear image in strong light scene
- Support 9:16 Corridor Mode
- Built-in Mic
- Smart IR, up to 30m (98 ft) IR distance
- Supports 256 G Micro SD card
- Cable-free
- Support PoE power supply

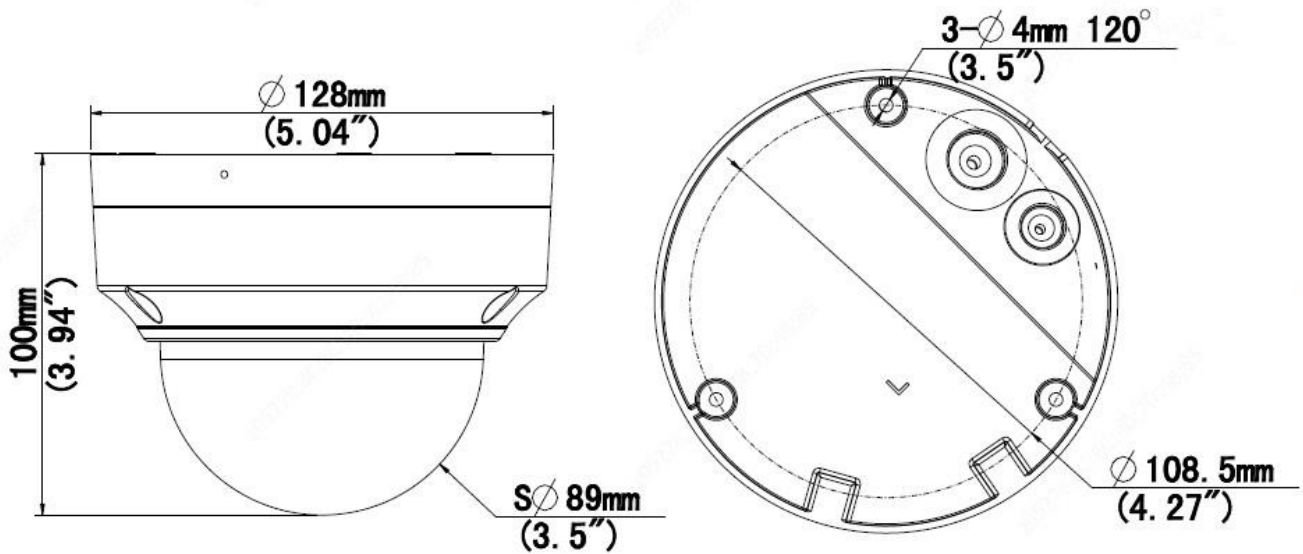
## Specifications

|                         |   |                |             |                   |              |
|-------------------------|---|----------------|-------------|-------------------|--------------|
|                         | IPC3534SB-ADNZK-IO  |                |             |                   |              |
| <b>Camera</b>           |   |                |             |                   |              |
| Sensor                  | 1/2.7", 4.0 megapixel, progressive scan, CMOS   |                |             |                   |              |
| Minimum Illumination    | Colour: 0.002 lux (F1.2, AGC ON)<br>0 lux with IR   |                |             |                   |              |
| Day/Night               | IR-cut filter with auto switch (ICR)  |                |             |                   |              |
| Shutter                 | Auto/Manual, 1 ~ 1/100000s  |                |             |                   |              |
| Adjustment angle        | Pan: 0° ~ 356°  | Tilt: 0° ~ 70° |             | Rotate: 0° ~ 356° |              |
| WDR                     | 120dB   |                |             |                   |              |
| S/N                     | >56dB   |                |             |                   |              |
| <b>Lens</b>             |   |                |             |                   |              |
| Lens                    | 2.7 ~ 13.5mm, AF automatic focusing and motorized zoom lens   |                |             |                   |              |
| Iris                    | Fixed   |                |             |                   |              |
| Field of View (H)       | 103.58° ~ 31.05°  |                |             |                   |              |
| Field of View (V)       | 54.37° ~ 17.55°   |                |             |                   |              |
| Field of View (D)       | 134.65° ~ 36.63°  |                |             |                   |              |
| <b>DORI</b>             |   |                |             |                   |              |
| DORI Distance           | Lens (mm)   | Detect (m)     | Observe (m) | Recognize (m)     | Identify (m) |
|                         | 2.7   | 60.8           | 24.3        | 12.2              | 6.1          |
|                         | 13.5  | 303.8          | 121.5       | 60.8              | 30.4         |
| <b>Illuminator</b>      |   |                |             |                   |              |
| IR Range                | Up to 30m (98ft) IR range   |                |             |                   |              |
| Wavelength              | 850nm   |                |             |                   |              |
| IR On/Off Control       | Auto/Manual   |                |             |                   |              |
| <b>Video</b>            |   |                |             |                   |              |
| Video Compression       | Ultra 265, H.265, H.264, MJPEG  |                |             |                   |              |
| Frame Rate              | Main Stream: 4MP (2688*1520), Max 30fps; 4MP (2560*1440), Max 30fps; 3MP (2304*1296), Max 30fps; 1080P(1920*1080), Max 30fps<br>Sub Stream: 720P (1280*720), Max 30fps; D1 (720*576), Max 30fps; 640*360, Max 30fps;<br>Third Stream: D1 (720*576), Max 30fps; 640*360, Max 30fps; 2CIF(704*288), Max 30fps; CIF(352*288), Max 30fps; |                |             |                   |              |
| Video Bit Rate          | 128 Kbps~16 Mbps  |                |             |                   |              |
| U-code                  | Support   |                |             |                   |              |
| OSD                     | Up to 8 OSDs  |                |             |                   |              |
| Privacy Mask            | Up to 4 areas   |                |             |                   |              |
| ROI                     | Up to 8 areas   |                |             |                   |              |
| Video Stream            | Triple streams  |                |             |                   |              |
| <b>Image</b>            |   |                |             |                   |              |
| White Balance           | Auto/Outdoor/Fine Tune/Sodium Lamp/Locked/Auto2   |                |             |                   |              |
| Digital noise reduction | 2D/3D DNR   |                |             |                   |              |
| Smart IR                | Support   |                |             |                   |              |
| Flip                    | Normal/Vertical/Horizontal/180°/90°Clockwise/90°Anti-clockwise  |                |             |                   |              |
| Dewarping               | NA  |                |             |                   |              |

|                            |  |
|----------------------------|--|
| HLC                        | Supported  |
| BLC                        | Supported  |
| Defog                      | Digital Defog  |
| <b>Intelligent</b>         |  |
| Smart intrusion prevention | Support false alarm filtering: Cross Line detection, Intrusion detection, Enter Area detection, Leave Area detection   |
| Statistical Analysis       | People counting, support people flow counting and crowd density monitoring   |
| <b>Events</b>              |  |
| Basic Detection            | Motion detection, tampering alarm, audio detection   |
| General Function           | Watermark, IP address filtering, tampering alarm, access policy, ARP protection, RTSP authentication, user authentication  |
| <b>Audio</b>               |  |
| Audio Compression          | G.711U, G.711A   |
| Audio Bitrate              | 64 Kbps  |
| Two-way audio              | Supported  |
| Suppression                | Supported  |
| Sampling Rate              | 8KHZ   |
| <b>Storage</b>             |  |
| Edge Storage               | Micro SD, up to 256GB  |
| Network Storage            | ANR, NAS(NFS)  |
| <b>Network</b>             |  |
| Protocols                  | IPv4, IGMP, ICMP, ARP, TCP, UDP, DHCP, RTP, RTSP, RTCP, DNS, DDNS, NTP, FTP, UPnP, HTTP, HTTPS, SMTP, SSL, QoS   |
| Compatible Integration     | ONVIF (Profile S, Profile G, Profile T), API, SDK  |
| User/Host                  | Up to 32 users. 2 user levels: administrator and common user   |
| Security                   | Password protection, Strong password, HTTPS encryption, Export operation logs, Basic and digest authentication for RTSP, Digest authentication for HTTP, TLS 1.2, WSSE and digest authentication for ONVIF |
| Client                     | EZStation<br>EZView<br>EZLive  |
| Web Browser                | Plug-in required live view: IE9+, Chrome 41 and below, Firefox 52 and below<br>Plug-in free live view: Chrome 57.0+, Firefox 58.0+, Edge 16+   |
| <b>Interface</b>           |  |
| Audio I/O                  | Input: impedance 35kΩ; amplitude 2V [p-p]<br>Output: impedance 600Ω; amplitude 2V [p-p]  |
| Alarm I/O                  | 1/1  |
| RS485                      | N/A  |
| Built-in Mic               | Support  |
| Built-in Speaker           | N/A  |
| WIFI                       | N/A  |
| Network                    | 10M/100M Base-TX Ethernet  |
| Video Output               | N/A  |
| <b>Certifications</b>      |  |
| EMC                        | CE-EMC (EN 55032: 2015+A1:2020, EN 61000-3-3: 2013+A1: 2019, EN IEC 61000-3-2: 2019+A1: 2021, EN 55035: 2017+A11:2020)<br>FCC (FCC CFR 47 part15 B, ANSI C63.4-2014)                                       |
| Safety                     | CE LVD (EN 62368-1:2014+A11:2017)<br>CB (IEC 62368-1:2014)   |

|                     |  |
|---------------------|--|
|                     | UL (UL 62368-1, 2nd Ed., Issue Date: 2014-12-01)   |
| Environment         | CE-RoHS (2011/65/EU;(EU)2015/863); WEEE (2012/19/EU); Reach (Regulation (EC) No 1907/2006) |
| Protection          | IP66 (IEC 60529:1989+AMD1:1999+AMD2:2013)<br>IK10 (IEC 62262:2002)                         |
| <b>General</b>      |  |
| Power               | DC 12V±25%, PoE (IEEE 802.3af)   |
|                     | Power consumption: Max 6.5W  |
| Power Interface     | Cable-free   |
| Dimensions (Ø x H)  | Ø128mmx100mm (Ø5.04" x 3.94")  |
| Net Weight          | 0.59kg (1.31lb)  |
| Material            | Metal  |
| Working Environment | -30°C ~ 55°C (-22°F ~ 131°F), Humidity: ≤95% RH (non-condensing)                           |
| Storage Environment | -30°C ~ 55°C (-22°F ~ 131°F), Humidity: ≤95% RH (non-condensing)                           |
| Surge Protection    | 6KV  |
| Reset Button        | Supported  |

## Dimensions



## Accessories

TR-JB03-H-IN

Junction Box



TR-A01-IN

TR-JB07/WM03-F-IN

Wall Mount



TR-SE24-IN

TR-WM03-B-IN

Wall Mount



TR-SE24-A-IN

TR-UP06-IN

Pole Mount



TR-CM24-IN

Waterproof Joint



Pendant Mount



Pendant Mount



Pendant Mount



| Junction Mount          | Pole Mount                                 |
|-------------------------|--|
| TR-JB03-H-IN            | TR-JB07/WM03-F-IN(TR-WM03-B-IN)+TR-UP06-IN |
|                         |  |
| TR-CM24-IN+TR-JB03-H-IN |  |
|                         |  |

**Zhejiang Uniview Technologies Co., Ltd.**

Building No.10, Wanlun Science Park, Jiangling Road 88, Binjiang District, Hangzhou, Zhejiang, China (310051)

Email: [overseasbusiness@uniview.com](mailto:overseasbusiness@uniview.com); [globalsupport@uniview.com](mailto:globalsupport@uniview.com)

<http://www.uniview.com>

©2021 Zhejiang Uniview Technologies Co., Ltd. All rights reserved.

\*Product specifications and availability are subject to change without notice.