

# 4MP Mini Fixed Bullet Network Camera

IPC2124LB-SF28(40)KM-G



## Key Features



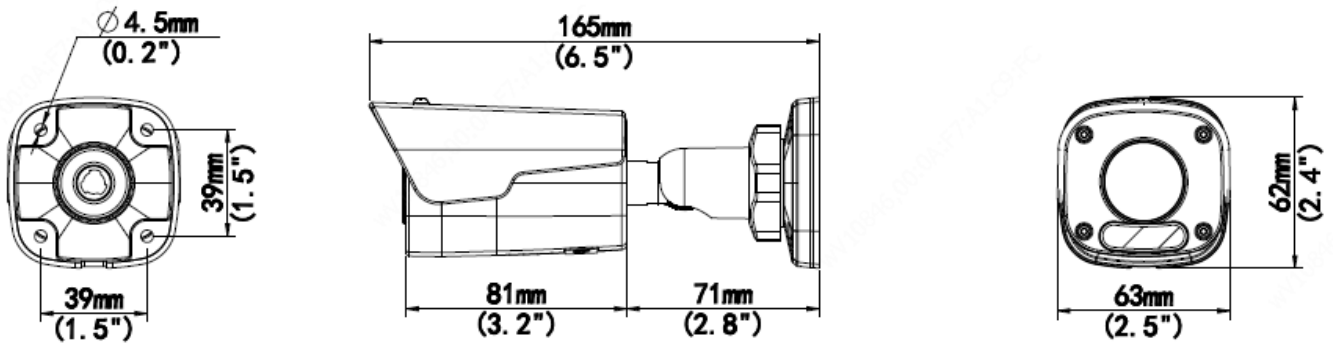
- High quality image with 4MP, 1/3"CMOS sensor
- 4MP (2560\*1440)@25/20fps; 3MP (2304\*1296)@30/25fps; 2MP (1920\*1080)@30/25fps; 720P (1280\*720)@30/25fps
- Ultra 265, H.265, H.264, MJPEG
- Smart IR, up to 30m (98ft) IR distance
- Supports 128 G Micro SD card
- Support PoE power supply
- 3-Axis

## Specifications

|                         | IPC2124LB-SF28KM-G   | IPC2124LB-SF40KM-G |             |               |              |
|-------------------------|--|--------------------|-------------|---------------|--------------|
| <b>Camera</b>           |  |                    |             |               |              |
| Sensor                  | 1/3", 4.0 megapixel, progressive scan, CMOS  |                    |             |               |              |
| Minimum Illumination    | Colour: 0.01Lux (F2.0, AGC ON)<br>0Lux with IR on  |                    |             |               |              |
| Day/Night               | IR-cut filter with auto switch (ICR)   |                    |             |               |              |
| Shutter                 | Auto/Manual, 1 ~ 1/100000s   |                    |             |               |              |
| Adjustment angle        | Pan: 0° to 360°, Tilt: 0° to 90°, Rotate: 0° to 360°   |                    |             |               |              |
| S/N                     | >56dB  |                    |             |               |              |
| WDR                     | DWDR   |                    |             |               |              |
| <b>Lens</b>             |  |                    |             |               |              |
| Lens Type               | 2.8mm and 4.0mm @2.0, Fixed-focal  |                    |             |               |              |
| Lens Mount              | M12  |                    |             |               |              |
| Angle of View (H)       | 97.0°  | 79.0°              |             |               |              |
| Angle of View (V)       | 52.2°  | 42.3°              |             |               |              |
| Angle of View (O)       | 107.5°   | 85.1°              |             |               |              |
| <b>DORI</b>             |  |                    |             |               |              |
|                         | Lens (mm)  | Detect (m)         | Observe (m) | Recognize (m) | Identify (m) |
| DORI Distance           | 2.8  | 63.0               | 25.2        | 12.6          | 6.3          |
|                         | 4.0  | 90.0               | 36.0        | 18.0          | 9.0          |
| <b>Illuminator</b>      |  |                    |             |               |              |
| IR Range                | Up to 30m (98ft) IR range  |                    |             |               |              |
| Wavelength              | 850nm  |                    |             |               |              |
| IR On/Off Control       | Auto/Manual  |                    |             |               |              |
| <b>Video</b>            |  |                    |             |               |              |
| Video Compression       | Ultra 265, H.265, H.264, MJPEG   |                    |             |               |              |
| H.264 code profile      | Baseline profile, Main profile, High profile   |                    |             |               |              |
| Frame Rate              | Main Stream: 4MP (2560*1440), Max 25fps; 3MP (2304*1296), Max 30fps; 1080P (1920*1080), Max 30fps; 720P (1280*720), Max 30fps<br>Sub Stream: 4CIF (704*576), Max 30fps; 640*360, Max 30fps; 2CIF(704*288), Max 30fps; CIF(352*288), Max 30fps; |                    |             |               |              |
| Video Bit Rate          | 128 Kbps~6144 kbps   |                    |             |               |              |
| U-code                  | Supported  |                    |             |               |              |
| OSD                     | Up to 4 OSDs   |                    |             |               |              |
| Privacy Mask            | Up to 4 areas  |                    |             |               |              |
| ROI                     | Up to 8 areas  |                    |             |               |              |
| Motion Detection        | Up to 4 areas  |                    |             |               |              |
| <b>Image</b>            |  |                    |             |               |              |
| White Balance           | Auto/Outdoor/Fine Tune/Sodium Lamp/Locked/Auto2  |                    |             |               |              |
| Image Setting           | Image rotation, brightness, saturation, contrast, sharpness, gain adjustable by web browser  |                    |             |               |              |
| Digital noise reduction | 2D/3D DNR  |                    |             |               |              |
| Smart IR                | Supported  |                    |             |               |              |
| Flip                    | Normal/Vertical/Horizontal/180°  |                    |             |               |              |

|                        |  |
|------------------------|--|
| Dewarping              | NA   |
| HLC                    | Supported  |
| BLC                    | Supported  |
| Defog                  | Digital Defog  |
| <b>Storage</b>         |  |
| Edge Storage           | Micro SD, up to 128GB  |
| Network Storage        | ANR, NAS(NFS)  |
| <b>Network</b>         |  |
| Protocols              | IPv4, IGMP, ICMP, ARP, TCP, UDP, DHCP, RTP, RTSP, RTCP, RTMP, DNS, DDNS, NTP, FTP, UPnP, HTTP, HTTPS, SMTP, QoS, SSL/TLS, SNMP   |
| Compatible Integration | ONVIF (Profile S, Profile G, Profile T), API, SDK  |
| User/Host              | Up to 32 users. 2 user levels: administrator and common user   |
| Security               | Password protection, Strong password, HTTPS encryption, Export operation logs, Basic and digest authentication for RTSP, Digest authentication for HTTP, TLS 1.2, WSSE and digest authentication for ONVIF |
| Client                 | EZStation<br>EZView<br>EZLive  |
| Web Browser            | Plug-in required live view: IE9+, Chrome 41 and below, Firefox 52 and below  |
|                        | Plug-in free live view: Chrome 57.0+, Firefox 58.0+, Edge 16+  |
| <b>Interface</b>       |  |
| Network                | 1 * RJ45 10M/100M Base-TX Ethernet   |
| <b>Certification</b>   |  |
| EMC                    | FCC: FCC Part 15   |
| Safety                 | CE: EN 60950-1<br>UL: UL60950-1<br>IEC 60950-1   |
| <b>General</b>         |  |
| Power                  | DC 12V±25%, PoE (IEEE 802.3af)   |
|                        | Power consumption: Max 5.5W  |
| Power Interface        | Ø 5.5mm coaxial power plug   |
| Dimensions (L × W × H) | 165 × 63 × 62mm (6.5" × 2.5" × 2.5")   |
| Weight                 | 0.39kg (0.86lb)  |
| Material               | Metal  |
| Working Environment    | -30°C ~ 60°C (-22°F ~ 140°F), Humidity: ≤95% RH (non-condensing)   |
| Storage Environment    | -30°C ~ 60°C (-22°F ~ 140°F), Humidity: ≤95% RH (non-condensing)   |
| Surge Protection       | 4KV  |
| Reset Button           | N/A  |
| Ingress Protection     | Ingress protection: IP67   |

## Dimensions



## Accessories

TR-UP06-B-IN



TR-JB05-A-IN



TR-UP06-C-IN



TR-A01-IN



### Zhejiang Uniview Technologies Co., Ltd.

Building No.10, Wanlun Science Park, Jiangling Road 88, Binjiang District, Hangzhou, Zhejiang, China (310051)

Email: [overseasbusiness@uniview.com](mailto:overseasbusiness@uniview.com); [globalsupport@uniview.com](mailto:globalsupport@uniview.com)

<http://www.uniview.com>

©2020 Zhejiang Uniview Technologies Co., Ltd. All rights reserved.

\*Product specifications and availability are subject to change without notice.