

# 4MP LightHunter Deep Learning Vandal-resistant Dome Network Camera

IPC3234SS-DZK-IO



## Key Features



## Optics

- 1/2.7", Powered by lighthunter
- Smart IR, up to 40m (131 ft) IR distance
- Up to 120 dB Optical WDR (Wide Dynamic Range)

## Smart

- Smart intrusion prevention, support false alarm filtering, include Cross Line, Intrusion, Enter Area, Leave Area detection
- People Counting, support people flow counting and crowd density monitoring, suitable for different statistical scenarios

## Compression

- Ultra 265, H.265, H.264, MJPEG
- Triple streams
- 2688\*1520@30fps in the main stream
- ROI (Region of Interest)

## Network

- ONVIF Conformance

## Structure

- DC12V or PoE power supply
- Wide voltage range of  $\pm 25\%$  in DC
- Micro SD, up to 256 GB
- Alarm 1 in and 1 out, Audio 1 in and 1 out
- IP67 ingress protection
- IK10 vandal resistant

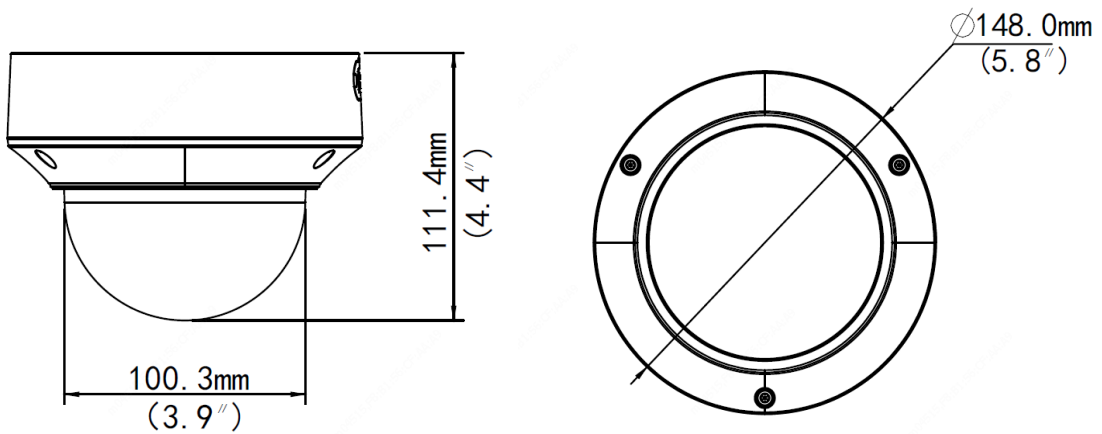
## Specifications

IPC3234SS-DZK-IO																
<b>Camera</b>																
Sensor	1/2.7", 4.0 megapixel, progressive scan, CMOS															
Lens	2.7~13.5mm@F1.2, AF automatic focusing and motorized zoom lens															
Iris	Auto aperture															
DORI Distance	<table border="1"> <thead> <tr> <th>Lens (mm)</th> <th>Detect (m)</th> <th>Observe (m)</th> <th>Recognize (m)</th> <th>Identify (m)</th> </tr> </thead> <tbody> <tr> <td>2.7</td> <td>70.9(232.5ft)</td> <td>28.4(93.0ft)</td> <td>14.2(46.5ft)</td> <td>7.1(23.3ft)</td> </tr> <tr> <td>13.5</td> <td>247.5(812.0ft)</td> <td>99.0(324.8ft)</td> <td>49.5(162.4ft)</td> <td>24.8(81.2ft)</td> </tr> </tbody> </table>	Lens (mm)	Detect (m)	Observe (m)	Recognize (m)	Identify (m)	2.7	70.9(232.5ft)	28.4(93.0ft)	14.2(46.5ft)	7.1(23.3ft)	13.5	247.5(812.0ft)	99.0(324.8ft)	49.5(162.4ft)	24.8(81.2ft)
	Lens (mm)	Detect (m)	Observe (m)	Recognize (m)	Identify (m)											
	2.7	70.9(232.5ft)	28.4(93.0ft)	14.2(46.5ft)	7.1(23.3ft)											
13.5	247.5(812.0ft)	99.0(324.8ft)	49.5(162.4ft)	24.8(81.2ft)												
Field of View (H)	26.0°~92.0°															
Field of View (V)	15.0°~53.9°															
Field of View (D)	30.7°~119.6°															
Shutter	Auto/Manual, 1 ~ 1/100000s															
Adjustment angle	<table border="1"> <tr> <td>Pan: 0°~355°</td> <td>Tilt: 0°~80°</td> <td>Rotate: 0°~355°</td> </tr> </table>	Pan: 0°~355°	Tilt: 0°~80°	Rotate: 0°~355°												
Pan: 0°~355°	Tilt: 0°~80°	Rotate: 0°~355°														
Min. Illumination	Colour:0.001ux (F1.2, AGC ON) 0 lux with IR															
WDR	120dB															
Day/Night	IR-cut filter with auto switch (ICR)															
IR Range	Up to 40m (131 ft) IR range															
Wavelength	850nm															
IR On/Off Control	Auto/Manual															
Defog	Digital Defog															
<b>Video</b>																
Video Compression	Ultra 265, H.265, H.264, MJPEG															
Frame Rate	Main Stream: 4MP (2688*1520),Max 30fps; Sub Stream: 2MP (1920*1080), Max 30fps; Third Stream: D1 (720*576), Max 30fps															
Video Bit Rate	128 Kbps~16 Mbps															
ROI	Supported															
Video stream	Triple streams															
OSD	Up to 8 OSDs															
Privacy Mask	Up to 8 areas(8 blacks/8 mosaics)															
<b>Image</b>																
White Balance	Auto/Outdoor/Fine Tune/Sodium Lamp/Locked/Auto2															
Digital noise reduction	2D/3D DNR															
Smart IR	Support															

Flip	Normal/Flip Vertical/Flip Horizontal/180°/90°Clockwise/90°Anti-clockwise
HLC	Support
BLC	Support
<b>Intelligent</b>	
Smart intrusion prevention	Support false alarm filtering: Cross Line detection, Intrusion detection, Enter Area detection, Leave Area detection
Statistical Analysis	People counting, support people flow counting and crowd density monitoring
<b>Events</b>	
Basic Detection	Motion detection, Audio detection, Tampering alarm
General Function	Watermark, IP Address Filtering, Alarm input, Alarm output, Access Policy, ARP Protection, RTSP Authentication, User Authentication
Exception Detection And Statistics	Object Removed, Object Left Behind
<b>Audio</b>	
Audio Compression	G.711U, G.711A
Two-way Audio	Supported
Suppression	Supported
Sampling Rate	8KHZ
<b>Storage</b>	
Edge Storage	Micro SD, up to 256 GB
Network Storage	ANR,NAS(NFS)
<b>Network</b>	
Protocols	IPv4, IGMP, ICMP, ARP, TCP, UDP, DHCP, PPPoE, RTP, RTSP, RTCP, DNS, DDNS, NTP, FTP, UPnP, HTTP, HTTPS, SMTP, 802.1x, SNMP, QoS, RTMP
Compatible Integration	ONVIF (Profile S, Profile G, Profile T), API
Client	EZStation EZLive Ezview
Web Browser	Plug-in required live view: IE 10 and above, Chrome 45 and above, Firefox 52 and above, Edge 79 and above
<b>Interface</b>	
Audio I/O	Audio cable
	1 Input: impedance 35kΩ; amplitude 2V [p-p]
	1 output: impedance 600Ω; amplitude 2V [p-p]
Alarm I/O	1/1
Network	1 * RJ45 10M/100M Base-TX Ethernet
<b>Certification</b>	
EMC	CE-EMC (EN 55032: 2015+A1:2020,EN 61000-3-3: 2013+A1: 2019,EN IEC 61000-3-2: 2019+A1: 2021,EN 55035: 2017+A11:2020) FCC (FCC CFR 47 part15 B, ANSI C63.4-2014)
Safety	CE LVD (EN 62368-1:2014+A11:2017) CB (IEC 62368-1:2014) UL (UL 62368-1, 2nd Ed., Issue Date: 2014-12-01)
Environment	CE-RoHS (2011/65/EU;(EU)2015/863); WEEE (2012/19/EU); Reach (Regulation (EC) No 1907/2006)
Protection	IP67 (IEC 60529:1989+AMD1:1999+AMD2:2013) IK10 (IEC 62262:2002)
<b>General</b>	
Power	DC12V(±25%), PoE(IEEE 802.3af)
	Power consumption: Max 8W
	Support overcurrent protection, Input short circuit protection

Dimensions (Ø x H)	Φ148.0 x 111.4mm (Φ5.8" x4.4")
Weight	0.93kg(2.05lb)
Working Environment	-30°C ~ 60°C (-22°F ~ 140°F), Humidity: ≤95% RH (non-condensing)
Storage Environment	-40°C ~ 70°C (-40°F ~ 158°F), Humidity: ≤95% RH (non-condensing)
Surge protection	6KV

## Dimensions



## Accessories

TR-JB04-C-IN  
Junction Box



TR-JB07/WM04-B-IN  
Wall Mount



TR-WM04-IN  
Wall Mount



TR-FM152-A-IN  
In-ceiling Mount



TR-SM04-IN  
Electric-box Transfer Plate

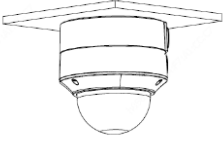
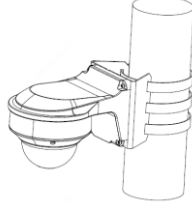
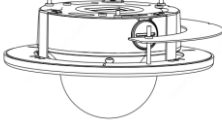
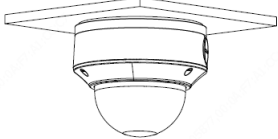


TR-A01-IN  
Waterproof Joint



TR-UP06-IN  
Pole Mount



Junction Mount	Pole Mount
TR-JB04-C-IN+ TR-A01-IN	TR-JB07/WM04-B-IN、TR-WM04-IN+TR-UP06-IN
	
In-ceiling Mount	Electric-box Transfer plate
TR-FM152-A-IN	TR-SM04-IN
	

**Zhejiang Uniview Technologies Co., Ltd.**

Building No.10, Wanlun Science Park, Jiangling Road 88, Binjiang District, Hangzhou, Zhejiang, China (310051)

Email: overseasbusiness@uniview.com; globalsupport@uniview.com

<http://www.uniview.com>

©2020-2022 Zhejiang Uniview Technologies Co., Ltd. All rights reserved.

\*Product specifications and availability are subject to change without notice