

4MP HD VF Turret Network Camera

IPC-T314-APKZ



Key Features

Optics

- Day/night functionality
- Smart IR, up to 30m (98ft) IR distance
- 2D/3D DNR (Digital Noise Reduction)
- Built-in Mic

Compression

- Ultra 265, H.265, H.264, MJPEG
- ROI (Region of Interest)

Network

- ONVIF Conformance

Structure

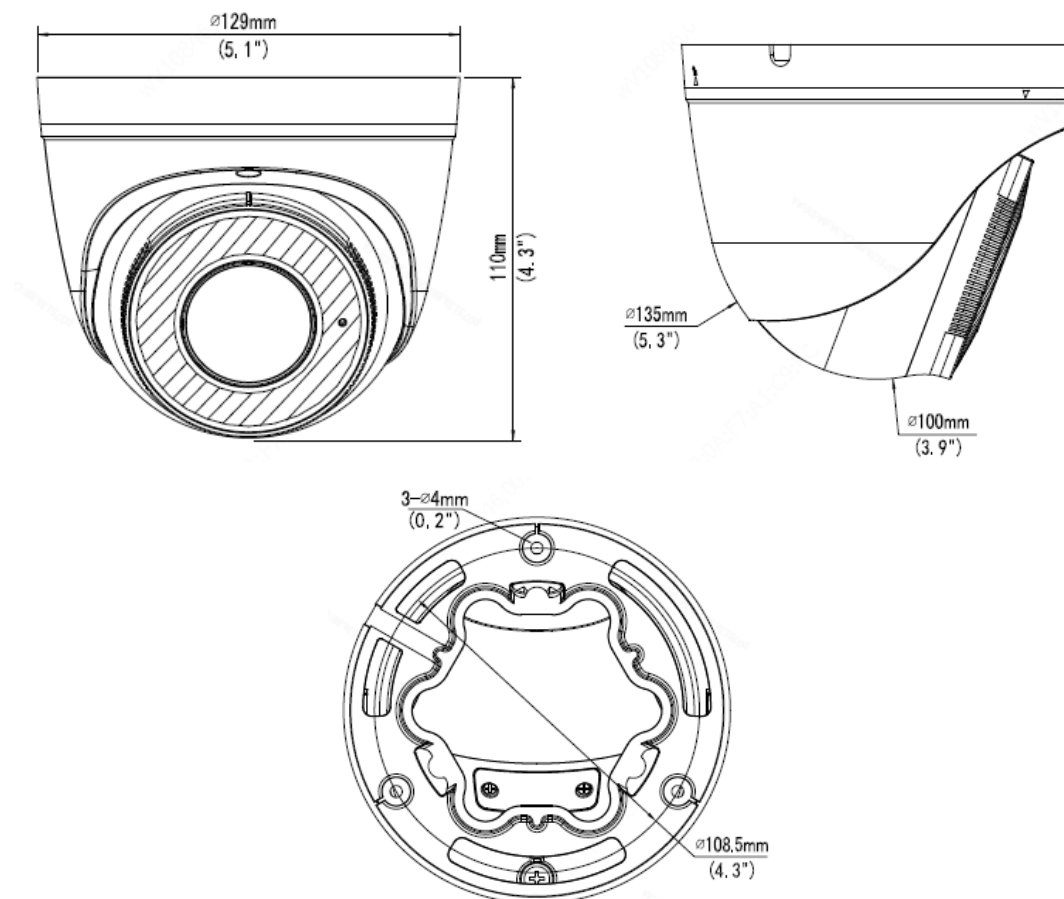
- Wide temperature range: -30°C ~ 60°C (-22°F ~ 140°F)
- Wide voltage range of ±25%
- IP67
- 3-Axis

Specifications

	IPC-T314-APKZ				
Camera					
Sensor	1/2.7", progressive scan, CMOS				
Lens	2.8 ~ 12mm, AF automatic focusing and motorized zoom lens				
DORI Distance	Lens (mm)	Detect (m)	Observe (m)	Recognize (m)	Identify (m)
	2.8	63.0	25.2	12.6	6.3
	12	270.0	108.0	54.0	27.0
Angle of View (H)	102.79° ~ 30.86°				
Angle of View (V)	54.50° ~ 17.49°				
Angle of View (O)	106.94° ~ 35.49°				
Adjustment angle	Pan: 0° ~ 360°		Tilt: 0° ~ 75		Rotate: 0° ~ 360°
Shutter	Auto/Manual, 1 ~ 1/100000s				
Minimum Illumination	Colour: 0.005Lux (F1.8, AGC ON) 0Lux with IR on				
Digital noise reduction	2D/3D DNR				
Day/Night	IR-cut filter with auto switch (ICR)				
S/N	>56dB				
IR Range	Up to 30m (98ft) IR range				
Defog	Digital Defog				
WDR	120dB				
Audio					
Audio Compression	G.711				
Suppression	Supported				
Sampling Rate	8KHZ				
Storage					
Edge Storage	Micro SD, up to 256GB				
Network Storage	ANR,NAS(NFS)				
Video					
Video Compression	Ultra 265, H.265, H.264, MJPEG				
H.264 code profile	Baseline profile, Main profile, High profile				
Frame Rate	Main Stream: 4MP (2560*1440), Max 25fps; 3MP (2304*1296), Max 30fps; 1080P (1920*1080), Max 30fps; Sub Stream: 720P (1280*720), Max 30fps; D1 (720*576), Max 30fps; 640*360,Max 30fps; 2CIF(704*288), Max 30fps; CIF(352*288), Max 30fps;				
HLC	Supported				
BLC	Supported				
OSD	Up to 4 OSDs				
Privacy Mask	Up to 4 areas				
ROI	Up to 8 areas				
Motion Detection	Up to 4 areas				
Smart					
Behavior Detection	intrusion(based on human body detection)				
	motion detection, tampering alarm, audio detection				

Network	
Protocols	IPv4, IGMP, ICMP, ARP, TCP, UDP, DHCP, RTP, RTSP, RTCP, DNS, DDNS, NTP, FTP, UPnP, HTTP, HTTPS, SMTP, SSL, QoS, RTMP
Compatible Integration	ONVIF (Profile S, Profile T, Profile G), API
Interface	
Network	10/100M Base-TX Ethernet
Built-in Mic	Supported
General	
Power	DC 12V±25%, PoE
	Power consumption: Max 6.0W
Dimensions (Ø x H)	Ø129 x 110mm (Ø5.1" x 4.3")
Weight	0.67kg (1.48lb)
Working Environment	-30°C ~ 60°C (-22°F ~ 140°F), Humidity: ≤95% RH (non-condensing)
Surge Protection	6KV
Ingress Protection	IP67
Reset Button	Supported

Dimensions



www.uniview.com/uniarch

©2021 Zhejiang Uniview Technologies Co., Ltd. All rights reserved.

*Product specifications and availability are subject to change without notice.